

ILLUSTRATED PARTS LIST

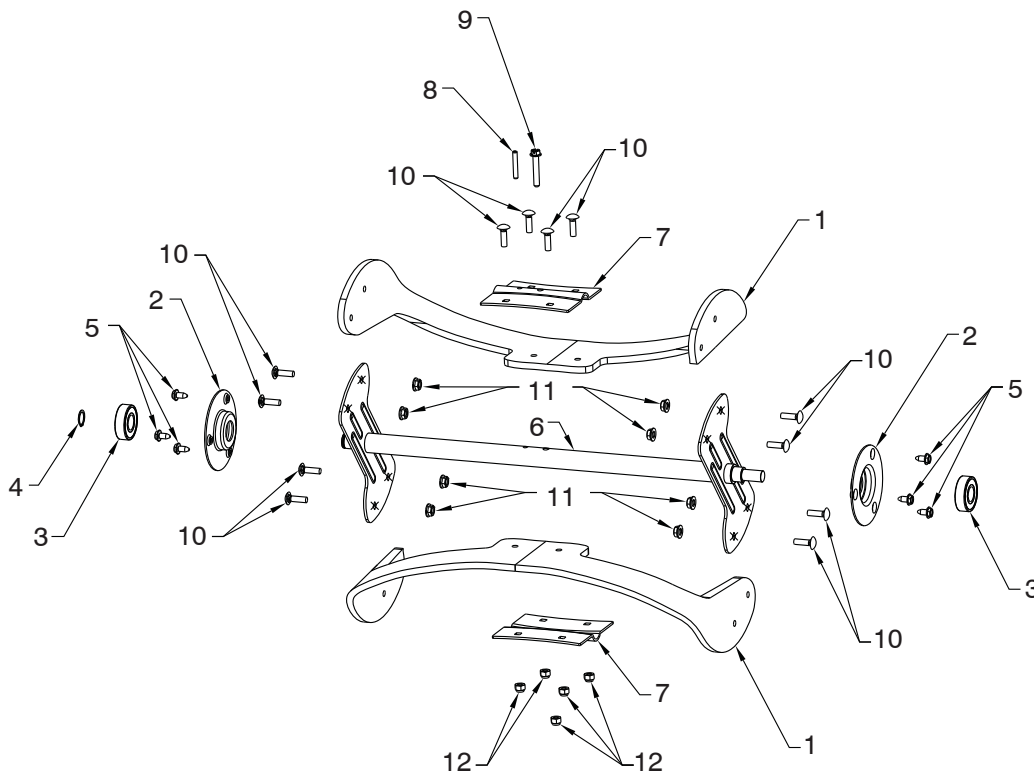
MODEL NUMBER ST 131

PRODUCT NUMBER 961 81 00-13

MFG. ID. NUMBER 96181001302

REPAIR PARTS SNOW THROWER - - MODEL NUMBER ST 131 (96181001302)

AUGER ASSEMBLY



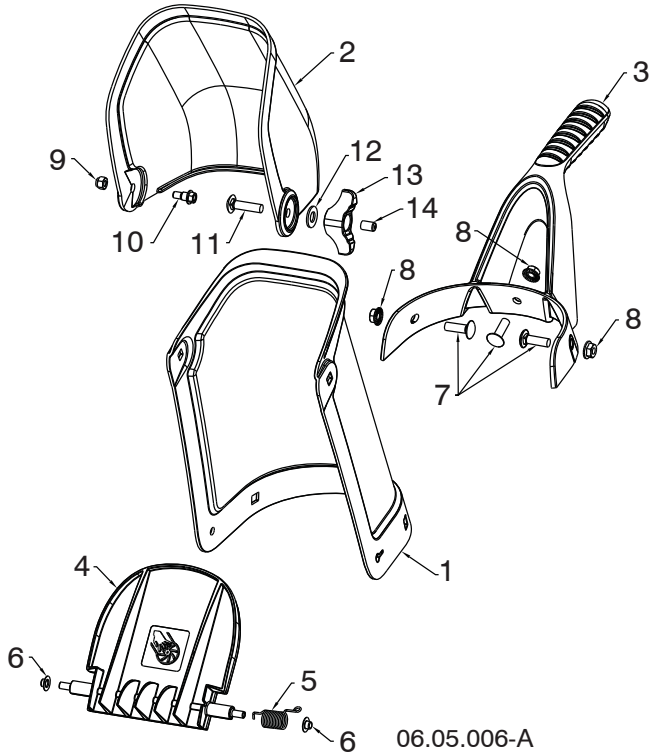
06.03.001-F

KEY NO.	PART NO.	DESCRIPTION
1	532 44 27-59	BLADE
2	580 85 55-01	BEARING SUPPORT
3	532 43 76-22	BALL BEARING
4	812 00 00-28	RETAINING RING
5	817 06 04-08	SCREW HEX 1/4-20 X 3/8
6	532 43 76-17	AUGER WELDMENT
7	580 85 54-01	CENTER BLADE PLATE
8	532 43 76-20	ROLL PIN
9	532 19 96-87	SCREW HEX WS HD 1/4-20 X 1.5
10	872 11 04-07	BOLT CARRIAGE 1/4-20 X 7/8
11	532 19 17-30	LOCKNUT 1/4-20 HEX FLANGE SIDE
12	532 13 20-04	NUT HEX 1/4-20 SERR

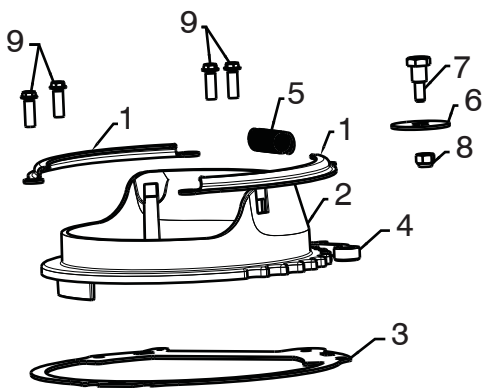
NOTE: All component dimensions given in U.S. inches. 1 inch = 25.4 mm
IMPORTANT: Use only Original Equipment Manufacturer (O.E.M.) replacement parts. Failure to do so could be hazardous, damage your snow thrower and void your warranty.

REPAIR PARTS SNOW THROWER - - MODEL NUMBER ST 131 (96181001302)

CHUTE ASSEMBLY



KEY NO.	PART NO.	DESCRIPTION
1	583 75 82-01	CHUTE (GRAY)
2	532 44 34-31	DEFLECTOR (GRAY)
3	587 41 21-01	HANDLE (GRAY)
4	532 44 41-40	GUARD (GRAY)
5	532 43 66-22	SPRING
6	532 44 22-51	PUSH NUT
7	532 43 73-18	CARRIAGE BOLT 5/16-18 UNC X 1
8	873 97 05-00	NUT LOCK HEX W/INS 5/16-18 UNC PL
9	532 13 20-04	NUT HEX 1/4-20 NYLON LOCKING
10	532 44 46-82	SHOULDER BOLT 1/4-20 HEX HEAD
11	872 11 05-10	CARRIAGE BOLT 5/16-18 X 1-1/4
12	819 13 13-16	WASHER 13/32 X 13/16 X 16 GA
13	532 19 19-38	KNOB TWO WING
14	532 07 16-73	CAP PLUNGER



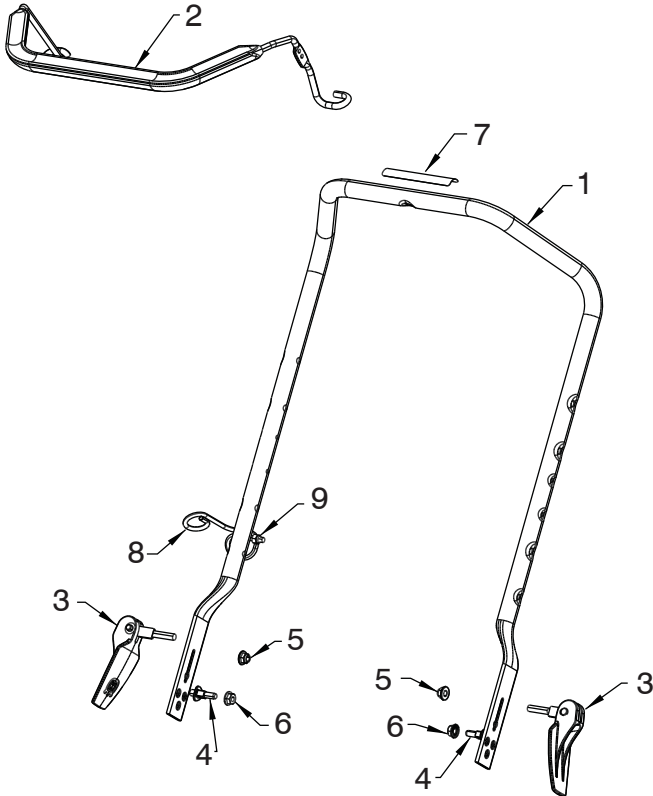
KEY NO.	PART NO.	DESCRIPTION
1	580 85 65-01	CHUTE RETAINER
2	587 23 81-01	CHUTE BASE
3	580 85 56-01	CHUTE BASE PLATE
4	532 43 48-78	RATCHET PAWL
5	532 43 48-79	SPRING
6	819 13 24-16	WASHER (13/32 X 1.25)
7	532 08 13-28	BOLT (1/4-20 X .94)
8	532 13 20-04	NUT (1/4-20 HEX)
9	817 41 13-12	BOLT (13-16 X .75)

06.04.009-C

NOTE: All component dimensions given in U.S. inches. 1 inch = 25.4 mm
IMPORTANT: Use only Original Equipment Manufacturer (O.E.M.) replacement parts.
 Failure to do so could be hazardous, damage your snow thrower and void your warranty.

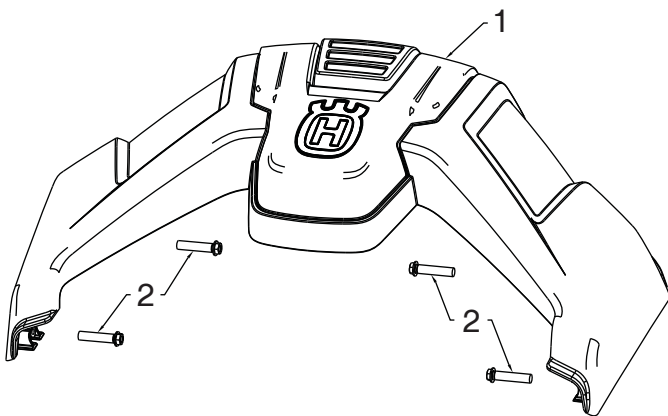
REPAIR PARTS SNOW THROWER - - MODEL NUMBER ST 131 (96181001302)

HANDLE ASSEMBLY



06.07.006-A

KEY NO.	PART NO.	DESCRIPTION
1	532 44 34-32	UPPER HANDLE ERGO GRAY
2	532 44 34-33	OVERMOLD BAIL ASM HUSQ
3	532 44 30-21	QUICK ADJUST SUBASM
4	532 19 92-55	STUD QUICK ADJ
5	532 44 22-48	NUT 5/16-18 FLANGE NYLOCK BLACK
6	873 97 05-00	NUT LOCK HEX FLANGE
7	532 43 75-06	DECAL HANDLE BAR AUGER INSTRUCTIONAL
8	532 44 22-34	ROPE GUIDE
9	532 13 20-04	NUT HEX 1/4-20 BZO



06.09.003-B

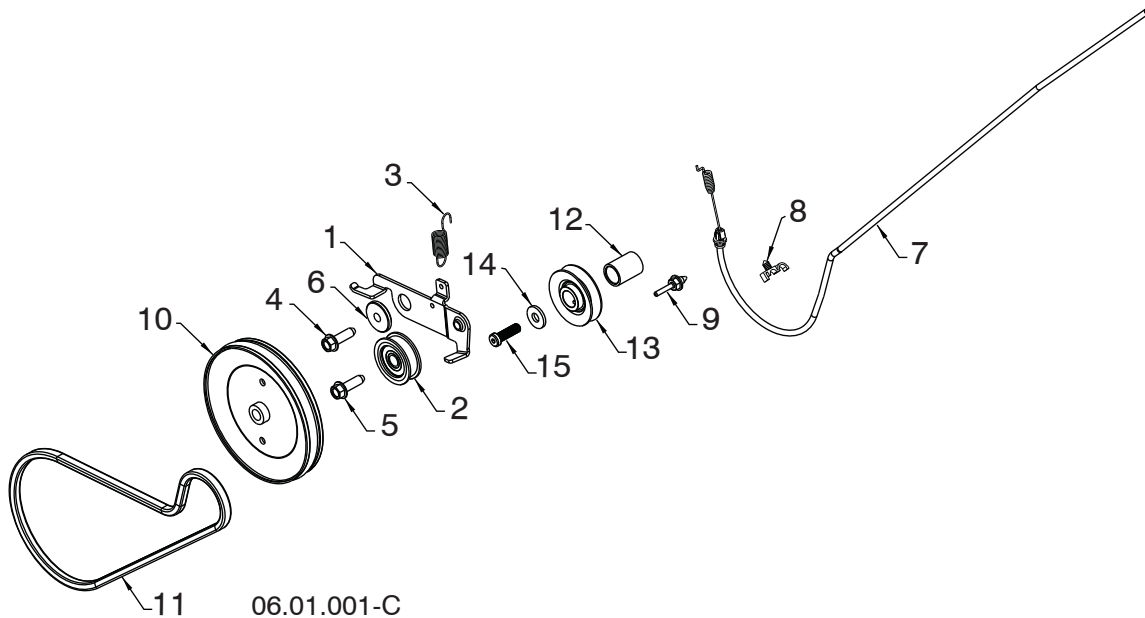
KEY NO.	PART NO.	DESCRIPTION
1	586 51 75-01	COVER ASM HUSQVARNA LITE
*2	817 41 13-18	SCREW 13-16 X 1.25 HEX WASHER

ITEMS MARKED WITH AN * ARE PROVIDED IN THE BAG OF ITEMS SHIPPED LOOSE WITH PRODUCT.

NOTE: All component dimensions given in U.S. inches. 1 inch = 25.4 mm
IMPORTANT: Use only Original Equipment Manufacturer (O.E.M.) replacement parts. Failure to do so could be hazardous, damage your snow thrower and void your warranty.

REPAIR PARTS SNOW THROWER - - MODEL NUMBER ST 131 (96181001302)

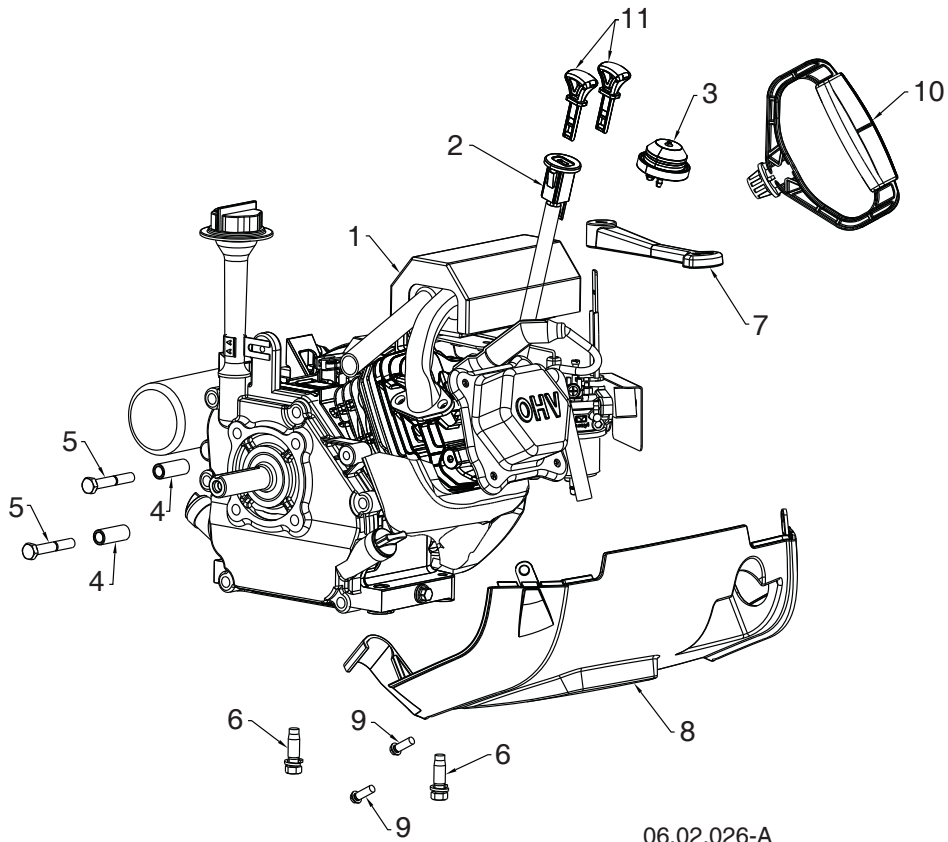
DRIVE ASSEMBLY



KEY NO.	PART NO.	DESCRIPTION
1	580 85 53-01	IDLER ARM
2	532 16 60-43	IDLER PULLEY
3	532 43 48-59	RETURN SPRING
4	817 06 06-20	SCREW 3/8-16 X 1-1/4 (TORQUE 13-18 FT-LBS)
5	817 06 06-20	SCREW 3/8-16 X 1-1/4 (TORQUE 22-27 FT-LBS)
6	532 19 90-92	SPACER
7	532 44 30-18	CLUTCH CABLE ASM
8	532 14 50-06	PUSH CLIP
9	532 43 45-02	BELT KEEPER
10	532 43 53-83	DRIVE PULLEY
11	532 43 72-61	BELT
12	532 43 48-60	ENGINE CRANK SPACER
13	532 42 64-90	ENGINE PULLEY
14	532 85 10-74	WASHER
15	532 43 08-17	SCREW 3/8-24 X 1/25

NOTE: All component dimensions given in U.S. inches. 1 inch = 25.4 mm
IMPORTANT: Use only Original Equipment Manufacturer (O.E.M.) replacement parts.
 Failure to do so could be hazardous, damage your snow thrower and void your warranty.

REPAIR PARTS SNOW THROWER - - MODEL NUMBER ST 131 (96181001302) ENGINE ASSEMBLY



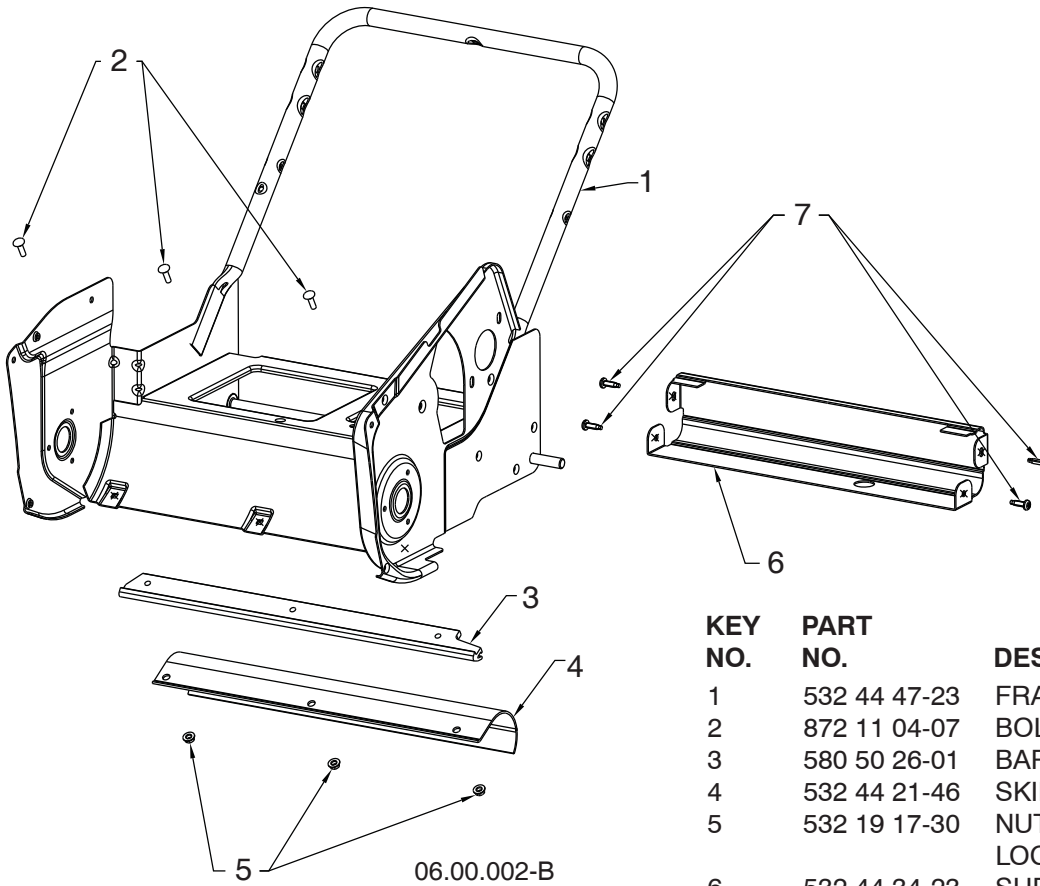
06.02.026-A

KEY NO.	PART NO.	DESCRIPTION
1	580 81 10-02	ENGINE LCT PW3HK1865018Y
2	580 85 02-01	KEY SWITCH
3	532 43 62-35	PRIMER BULB
4	532 43 48-57	ENGINE SPACER
5	532 43 55-78	SCREW 5/16-24 X 2.00 HHCS
6	532 15 04-06	ENGINE BOLT 3/8-16 DOGPOINT
7	532 43 48-74	CHOKE LEVER
8	532 44 34-24	LOWER REAR COVER
9	817 41 13-12	SCREW HEX WSHHD #13 X .750
10	532 44 30-70	HANDLE RECOIL
11	532 44 30-59	KEY SET (QTY: 2)

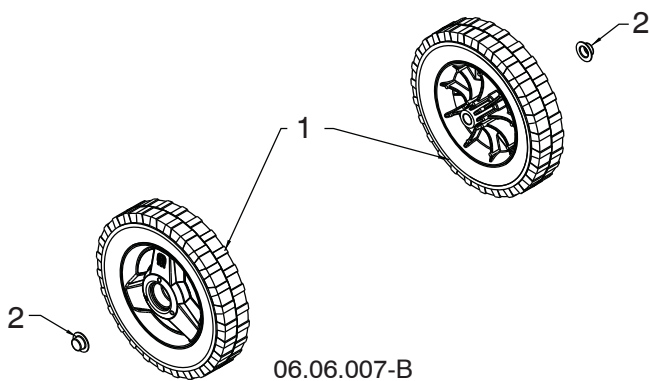
NOTE: All component dimensions given in U.S. inches. 1 inch = 25.4 mm
IMPORTANT: Use only Original Equipment Manufacturer (O.E.M.) replacement parts.
 Failure to do so could be hazardous, damage your snow thrower and void your warranty.

REPAIR PARTS SNOW THROWER - - MODEL NUMBER ST 131 (96181001302)

FRAME ASSEMBLY



KEY NO.	PART NO.	DESCRIPTION
1	532 44 47-23	FRAME WELDMENT
2	872 11 04-07	BOLT CARRIAGE 1/4-20 X 7/8
3	580 50 26-01	BAR SCRAPER UHMW
4	532 44 21-46	SKIRT SCRAPER SSST
5	532 19 17-30	NUT HEX FLANGE 1/4-20 CTR LOCK
6	532 44 34-23	SUPPORT SSST REAR FRAME
7	532 44 22-50	SCREW PAN HD TORX 1/4-20 X .750

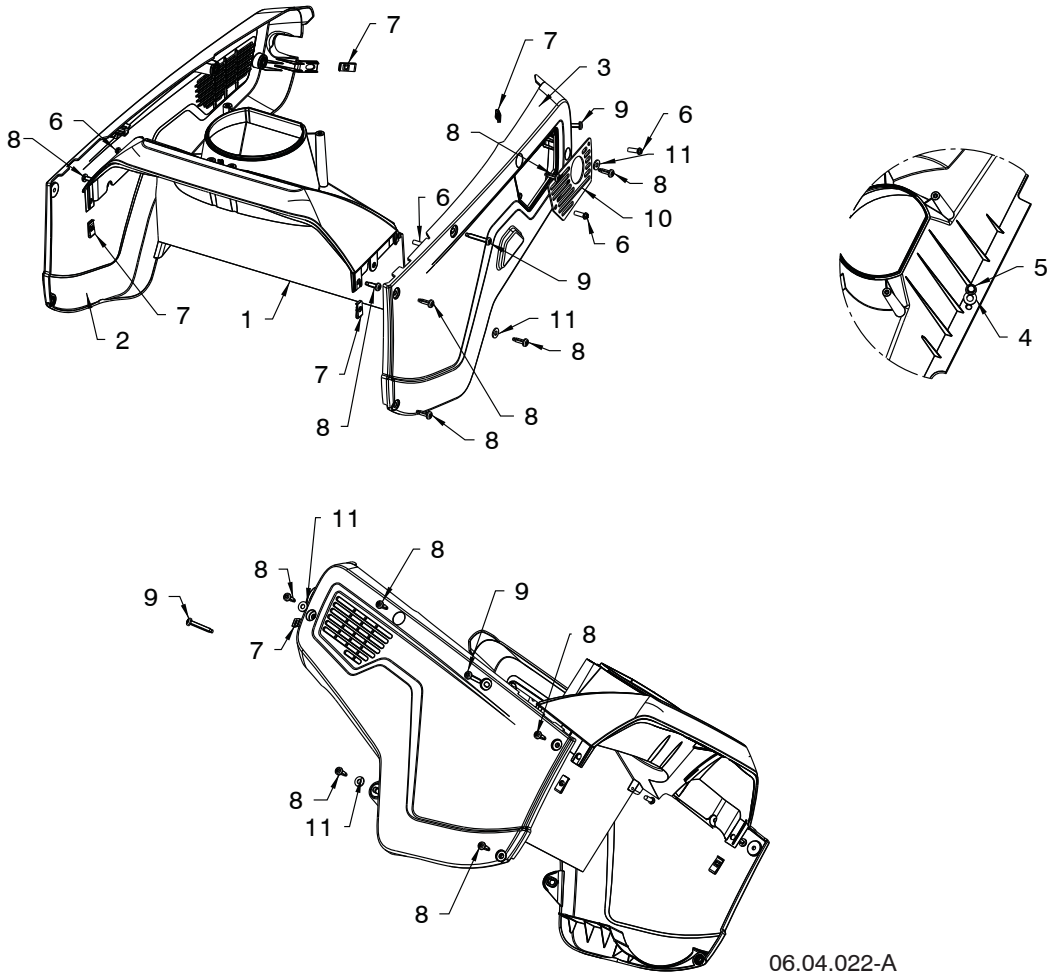


KEY NO.	PART NO.	DESCRIPTION
1	532 44 21-20	WHEEL HUSQVARNA 8"
2	532 43 54-17	PUSH NUT

NOTE: All component dimensions given in U.S. inches. 1 inch = 25.4 mm
IMPORTANT: Use only Original Equipment Manufacturer (O.E.M.) replacement parts. Failure to do so could be hazardous, damage your snow thrower and void your warranty.

REPAIR PARTS SNOW THROWER - - MODEL NUMBER ST 131 (96181001302)

SHROUD ASSEMBLY

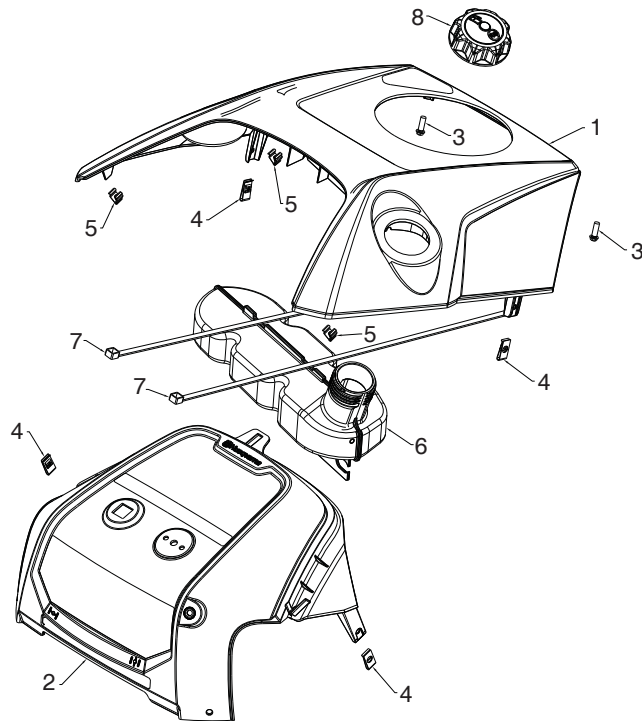


KEY NO.	PART NO.	DESCRIPTION
1	532 44 34-25	PLENUM
2	584 98 99-04	COVER NON DRIVE SIDE
3	584 99 00-04	COVER DRIVE SIDE
4	819 13 13-16	WASHER FLAT 3/8 SAE
5	532 42 88-67	BOLT 5/16-18 X .75
6	817 41 13-12	SCREW 13-16 X .75
7	532 19 66-88	CLIP THREADED
8	532 44 22-50	SCREW 1/4-20 X .75
9	532 44 42-62	SCREW 1/4-20 X 1.50
10	580 83 35-01	EXHAUST PLATE
11	819 09 10-16	WASHER FLAT 1/4 SAE

NOTE: All component dimensions given in U.S. inches. 1 inch = 25.4 mm
IMPORTANT: Use only Original Equipment Manufacturer (O.E.M.) replacement parts. Failure to do so could be hazardous, damage your snow thrower and void your warranty.

REPAIR PARTS SNOW THROWER - - MODEL NUMBER ST 131 (96181001302)

SHROUD ASSEMBLY



06.04.014-F

KEY NO.	PART NO.	DESCRIPTION
1	532 44 41-33	TOP COVER
2	588 75 40-01	REAR UPPER COVER
3	817 41 13-12	BOLT 13-16 X .75
4	532 19 66-88	THREADED CLIP
5	532 43 48-68	TRIM CLIP
6	580 98 26-01	FUEL TANK ASSEMBLY
7	532 14 68-48	CABLE TIE
8	581 07 55-01	FUEL CAP/GASKET
--	115 99 64-20	OPERATOR MANUAL EURO
--	115 99 64-10	OPERATOR MANUAL SCAN
--	115 99 64-50	OPERATOR MANUAL EBLOC
--	115 99 64-40	OPERATOR MANUAL BALTIC
--	115 99 64-53	OPERATOR MANUAL UKRAIN

NOTE: All component dimensions given in U.S. inches. 1 inch = 25.4 mm
IMPORTANT: Use only Original Equipment Manufacturer (O.E.M.) replacement parts.
 Failure to do so could be hazardous, damage your snow thrower and void your warranty.

REPAIR PARTS SNOW THROWER - - MODEL NUMBER ST 131 (96181001302) ENGINE, LCT COMPLETE ENGINE-580811102

136/179/208cc Single-Stage Snow Engines

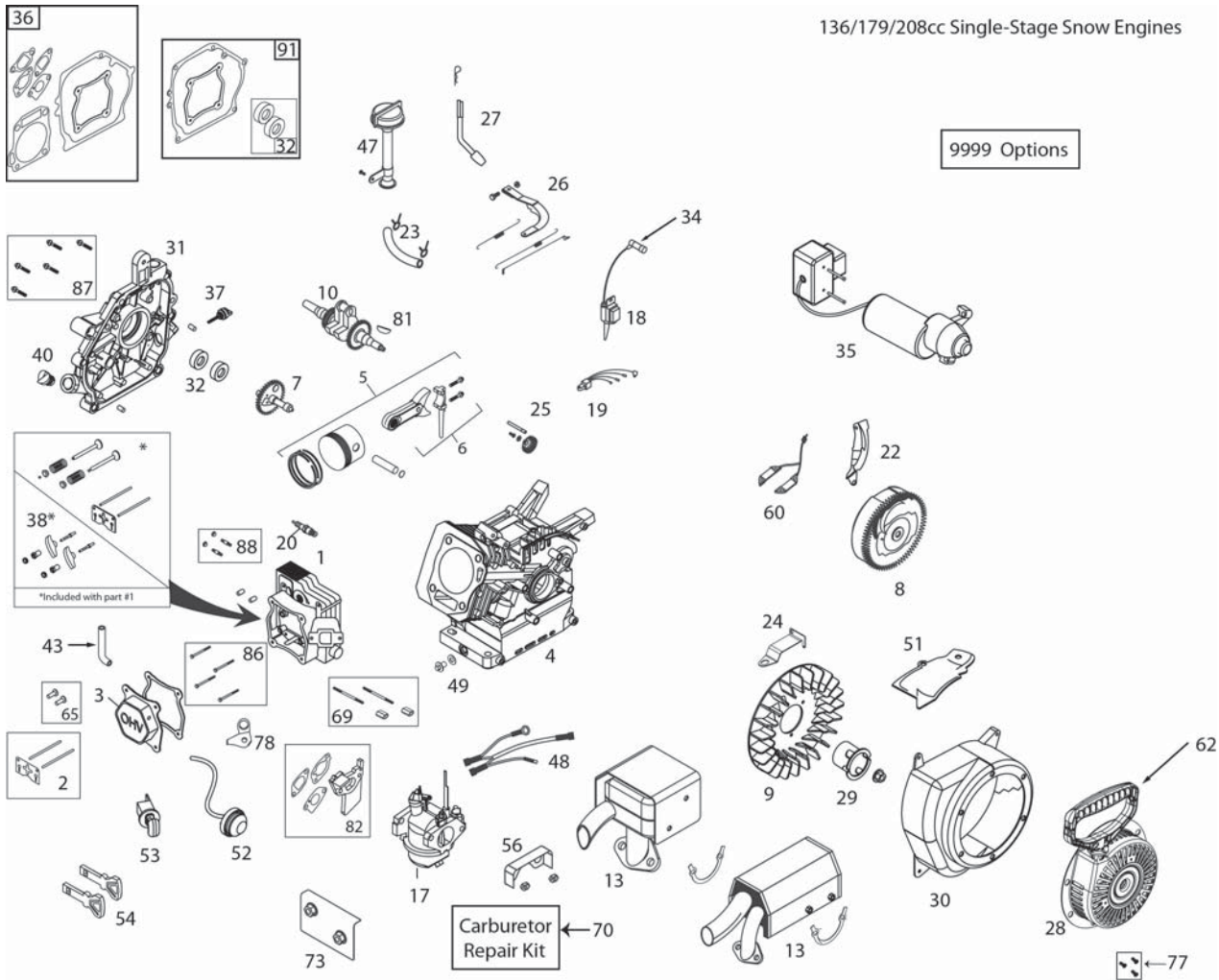


ILLUSTRATION FOR REFERENCE PURPOSES ONLY

KEY PART NO.	NO.	DESCRIPTION	KEY PART NO.	NO.	DESCRIPTION
1	532 42 05-78	CYLINDER HEAD ASSEMBLY - 208CC (INCL. GASKET)	13	532 44 42-77	MUFFLER ASSY (208CC SS SNOW) (PPP)
2	532 42 05-79	PUSH ROD & PLATE KIT (208CC) (INCL. VALVE COVER GSKT)	17	532 43 71-22	CARBURETOR (L10-4) (SS SNOW 208CC- W/GSKTS & SPACER)
3	587 17 69-01	VALVE COVER (208CC) (INCL. GASKET)	18	580 94 13-01	IGNITION COIL (CDI) (208/254CC) (STANDARD)
4	N/A	N/A	19	N/A	N/A
5	532 42 05-82	PISTON & ROD ASSEMBLY (208CC)	20	532 42 49-39	SPARK PLUG
6	N/A	N/A	22	532 42 49-75	SHIELD - FLYWHEEL - ELECTRIC START - SNOW
7	N/A	N/A	23	532 43 80-14	FUEL HOSE KIT - SINGLE STAGE SNOW (318MM)
8	532 42 92-35	FLYWHEEL - ELECTRIC START (2-CHARGING MAGNETS) (208CC)	24	532 42 92-59	SPEED CONTROL BRACKET (FIXED)
9	532 42 05-86	COOLING FAN - FLYWHEEL (PLASTIC - 208CC)	25	532 42 96-46	GOVERNOR GEAR ASSEMBLY (136/208CC)
10	532 44 66-42	CRANKSHAFT (#18 KEYED 208CC SNOW)			

NOTE: All component dimensions given in U.S. inches. 1 inch = 25.4 mm
IMPORTANT: Use only Original Equipment Manufacturer (O.E.M.) replacement parts.
 Failure to do so could be hazardous, damage your snow thrower and void your warranty.

REPAIR PARTS SNOW THROWER - - MODEL NUMBER ST 131 (96181001302)
ENGINE, LCT **COMPLETE ENGINE-580811102**

KEY PART NO. NO.	DESCRIPTION	KEY PART NO. NO.	DESCRIPTION
26	581 76 87-01 GOVERNOR ARM & LINK KIT (208CC SNOW - 3600 FIXED RPM)	51	532 43 71-19 SHIELD - CYLLNDER (208CC SNOW)
27	532 42 06-02 GOVERNOR ARM PADDLE	52	532 43 71-23 PRIMER BULB W/HOSE KIT (SINGLE STAGE)SNOW
28	585 77 12-01 RECOIL STARTER (BLACK SNOW) (SINGLE-STAGE 78-INCH ROPE) (ORDER DECAL KIT SEPERATE)	53	532 42 49-54 KEY SWITCH - SAFETY (PUSH/ PULL) SNOW (INCL. KEYS)
29	532 43 69-68 STARTER CUP (USE WITH ROUND STYLE STARTER) (208CC SNOW)	54	532 44 30-59 KEY SET - RED (2) (SNOW)
30	532 42 49-71 BLOWER HOUSING - BLACK ELECTRIC START W/WELDNUT (208CC) (SN >1165H0313865)	56	532 42 92-60 CARBURETOR VAPOR SHIELD - 208CC SNOW
31	532 42 06-06 CRANKCASE COVER ASSY-HOFT (THREADED) (INCL. GASKET) (SN <1265H0519257)	60	532 44 40-90 CHARGING COIL (60-WATT AC) (208/254CC)
31	532 44 37-73 CRANKCASE COVER ASSY-HOFT (PRESSED IN) (INCL. GASKET)	62	532 42 49-68 STARTER GRIP-SNOW
32	532 42 95-99 OIL SEAL KIT (2 PCS FOR 3/4- INCH CRANKSHAFT)	65	581 37 28-01 TAPPET KIT (208/254CC) (SET OF 2)
34	532 43 69-66 SPARK PLUG BOOT - WITH METAL SHIELD (SNOW)	69	532 42 49-51 CARBURETOR STUDS & COU- PLING KIT-SNOW
35	532 43 71-25 230V ELECTRIC STARTER (208CC SS SNOW)	70	580 35 36-01 CARBURETOR REPAIR KIT (136/208/254CC)
36	532 42 96-01 ENGINE GASKET KIT (208CC)	73	532 44 42-75 INTAKE SHIELD (208CC SS SNOW)
37	532 42 09-61 SMALL BLACK OIL DIPSTICK (PLASTIC)	77	532 43 26-88 RECOIL BOLT KIT (INCL. (3) MTG BOLTS)
38	532 42 96-91 ROCKER ARM KIT (208CC)(INCL. GASKET)	78	581 45 93-01 BREATHER TUBE BRACKET
40	532 42 95-98 NON-REMOVABLE PLASTIC PLUG (136/208/254CC)	81	585 29 72-01 WOODRUFF FLYWHEEL KEYS (5-PACK) (5X6X18MM)
43	580 35 34-01 BREATHER TUBE (136/208/254CC)	82	585 02 05-03 CARBURETOR SPACER (208/254CC)
47	532 44 40-91 HIGH OIL-FILL TUBE/DIPSTICK (PRESSED IN TYPE)	86	586 32 73-01 CYLINDER HEAD BOLT KIT (4) (136-179-208-254CC)
48	580 94 14-01 WIRE HARNESS (SINGLE STAGE)-SNOW	87	586 32 69-01 CC COVER BOLT KIT (6) (179- 208-254CC)
49	532 43 54-95 OIL DRAIN PLUG W/WASHER (136/208/254CC)	88	586 32 68-01 MUFFLER MTG STUD KIT (2)
		91	587 52 57-01 CRANKSHAFT GASKET KIT 179- 208CC
		9999	586 32 62-01 HIGH ALTITUDE JET (>5,000 FEET)(208CC L10-1 CARBURE- TOR)
		9999	579 80 64-01 BOLT KIT - BLWR HGS/HEATER BOX/TANK SKIRT

NOTE: All component dimensions given in U.S. inches. 1 inch = 25.4 mm
IMPORTANT: Use only Original Equipment Manufacturer (O.E.M.) replacement parts.
 Failure to do so could be hazardous, damage your snow thrower and void your warranty.